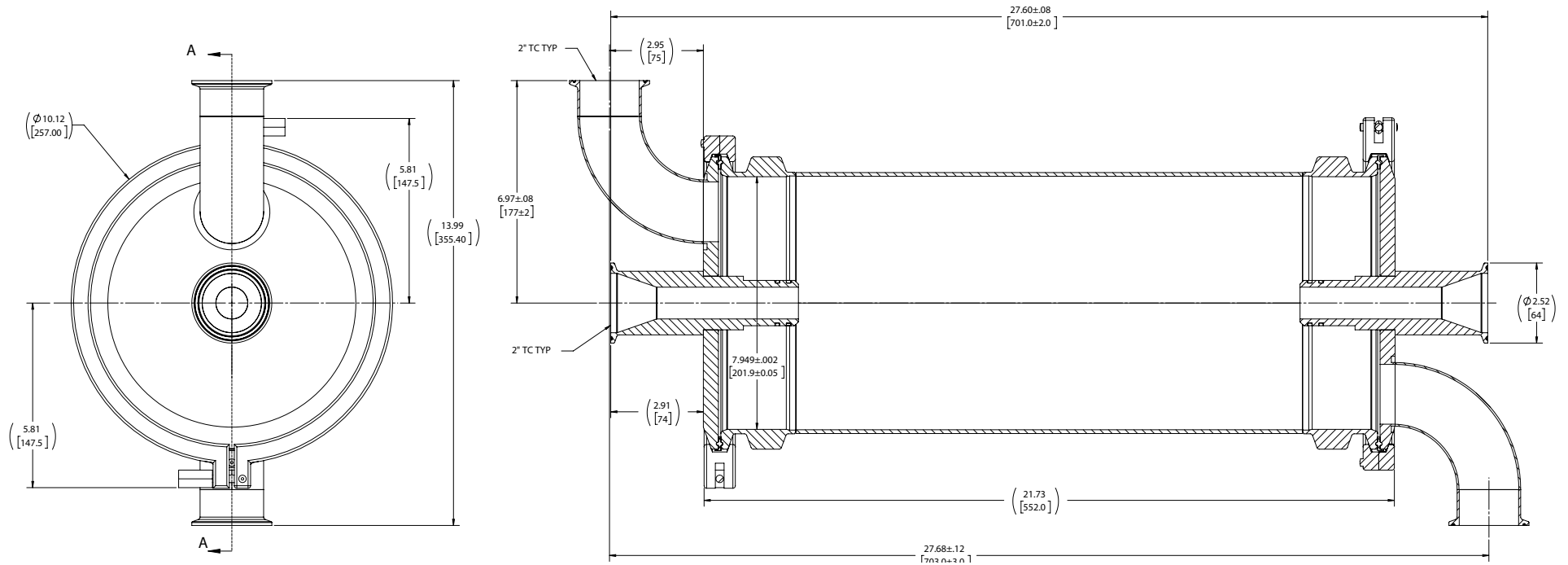


3M™ Liqui-Cel™ EXF-8×20 Series Membrane Contactor Stainless Steel Sanitary Connections with Rotated Gas Ports



NOTES:
 1 - All dimensions are nominal values except where tolerances are indicated
 2 - Dimensions in [millimeters] inches

*Can be the same font size as the legal text
 *The above drawing can reduce in size and be moved up to accommodate

Technical information: The technical information, guidance, and other statements contained in this document or otherwise provided by Solventum are based upon records, tests, or experience that Solventum believes to be reliable, but the accuracy, completeness, and representative nature of such information is not guaranteed. Such information is intended for people with knowledge and technical skills sufficient to assess and apply their own informed judgment to the information. No license under any Solventum or third party intellectual property rights is granted or implied with this information.

Product selection and use: Many factors beyond Solventum's control and uniquely within user's knowledge and control can affect the use and performance of a Solventum product in a particular application. As a result, customer is solely responsible for evaluating the product and determining whether it is appropriate and suitable for customer's application, including conducting a workplace hazard assessment and reviewing all applicable regulations and standards (e.g., OSHA, ANSI, etc.). Failure to properly evaluate, select, and use a Solventum product and appropriate safety products, or to meet all applicable safety regulations, may result in injury, sickness, death, and/or harm to property.

Warranty, limited remedy, and disclaimer: Unless a different warranty is expressly identified on the applicable Solventum product literature or packaging (in which case such express warranty governs), Solventum warrants that each Solventum product meets the applicable Solventum product specification at the time Solventum ships the product. SOLVENTUM MAKES NO OTHER WARRANTIES OR CONDITIONS, EXPRESS OR IMPLIED, INCLUDING, BUT NOT LIMITED TO, ANY IMPLIED WARRANTY OR CONDITION OF MERCHANTABILITY, FITNESS FOR A PARTICULAR PURPOSE, OR ARISING OUT OF A COURSE OF DEALING, CUSTOM, OR USAGE OF TRADE. If a Solventum product does not conform to this warranty, then the sole and exclusive remedy is, at Solventum's option, replacement of the Solventum product or refund of the purchase price.

Limitation of liability: Except for the limited remedy stated above, and except to the extent prohibited by law, Solventum will not be liable for any loss or damage arising from or related to the Solventum product, whether direct, indirect, special, incidental, or consequential (including, but not limited to, lost profits or business opportunity), regardless of the legal or equitable theory asserted, including, but not limited to, warranty, contract, negligence, or strict liability.

Rev. 08/2024
 LC-2127